



Class 4 Female Surface Torque Verification Transducer



Euroload Limited provide a range of torque load cells. The 3000 NM torque load cell is a stock item. The 1.5" (38.1mm) female analyser is manufactured from high grade stainless steel with mil-spec connections for use in ROV buckets.

This female torque transducer has 4 adaptors available turning this one female unit into 4 male units covering class1+2, class 3, class 4, 17H-hi torque.

We can supply the cable any length with various readout options available. As standard we would offer the PSD232 handheld display c/w RS232 output.

0.1% high accuracy national standard test rig to 65,600 Nm at Aberdeen factory.

Designed to fit in Surface Torque Verification Unit to verify ROV torque tool is working accurately.



Euroload Limited manufacture Surface torque verification transducers units to:

Class 1 and 2 sockets 11/16"

Class 3 socket 1-1/8"

Class 4 socket 1-1/2" Male and Female

Class 5 socket 2"

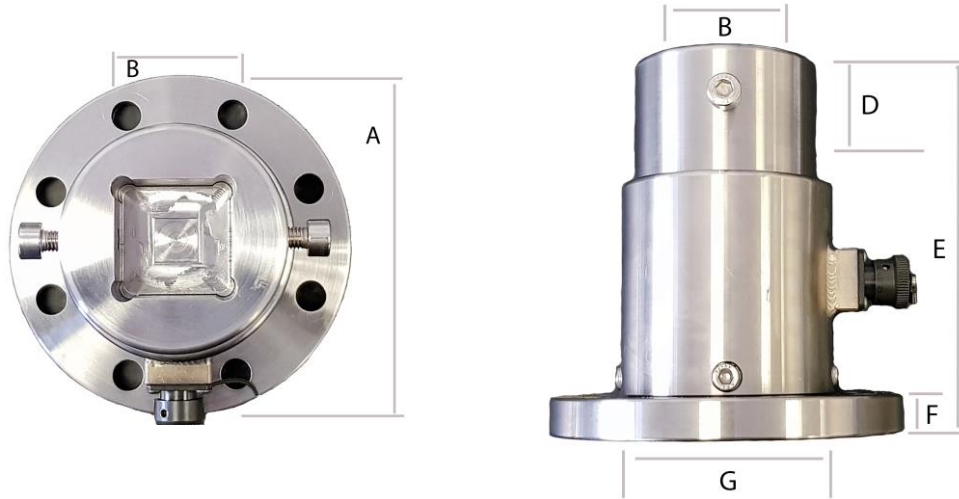
Class 6-7 socket 3.5"

API 17H- Hi-torque sockets 35mm



Features:

- . Fully stainless steel construction
- . Mil-spec connectors
- . Multiple output options
- . Multiple readout options
- . IP67 ingress protection as standard
- . High accuracy and repeatability
- . Selectable units of measurement Nm or Ft/lb
- . Peak hold as standard
- . 2 year manufacturer warranty
- . Any cable length on order
- . Massive stock held in factory
- . Worldwide agent network with stock held



| 3,000Nm Class 4 surface verification transducer | | | | | | | |
|--|--|------|--|------------------------------------|-----|----|----|
| EL-T-3K-F-CLASS4 | A | B | | D | E | F | G |
| | 140 | 38.3 | | 41.5 | 150 | 15 | 85 |
| C | 8 holes dia 12.2 equal spaced on 115.0 PCD | | | | | | |
| 3,000 NM Torque Load Cell Specifications | | | | | | | |
| Max Load | | | | 3,000 NM | | | |
| Safe Overload | | | | 150% | | | |
| Ultimate Overload | | | | 500% | | | |
| Material | | | | 17-4 stainless steel | | | |
| Output Standard | | | | 1.5 Mv/v | | | |
| Bridge Resistance | | | | 700 ohm | | | |
| Accuracy | | | | Class 1 transducer to BS 7882:2017 | | | |
| Environmental Rating | | | | IP67 | | | |
| Insulation Value | | | | Greater than 5 G ohm | | | |
| Standard cable length | | | | 5 Mtr | | | |
| Certification package supplied with each link contains: Calibration Certificate to BS 8422:2003, | | | | | | | |
| Declaration of Incorporation, EU Declaration of Conformity, Declaration of Manufacture | | | | | | | |
| Declaration of Incorporation, CE- Approval Statements, Checklist and user instructions. | | | | | | | |
| Material Certificates on Request. | | | | | | | |



Class 4 3,000 NM Female Torque load cell

Euroload Limited, Unit 9, Airside Business Park,
Dyce Drive, Kirkhill Ind Est, Dyce, Aberdeen,
AB21 0GT. Tel: +44 (0) 1224 774115 e-mail
info@euroload.eu www.euroload.eu

Local Agent: