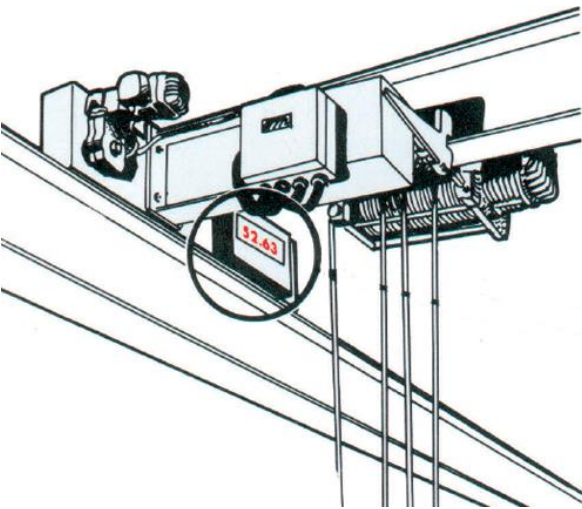




Zone 2 Overhead Crane Load Monitoring

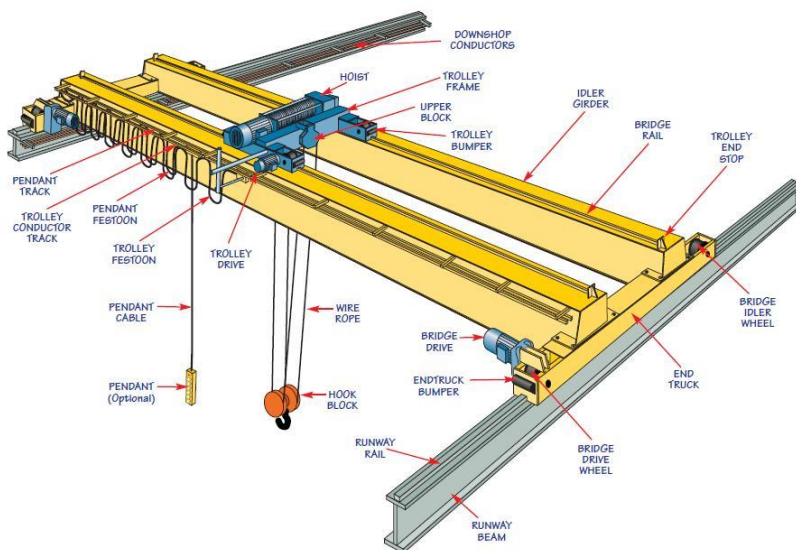
Euroload Limited provide load monitoring solutions for overhead cranes within a zone 2 hazardous area. Consisting of load cell and large display. There are two points to fit the load cell. Replace the compensation sheave pin or dead end wedge socket. All load cells have intrinsically safe 2 wire 4-20 ma output to minimise noise from the electrical motors. All load cells **Ex ia II C T4 Ga**.



We use high quality London Electronics display with 2, 4 or 6" displays, 4 or 6 digits, double sided display available. We have had these displays working in very harsh environments for over 10 years with no issues. Audible visual alarms and overload alarms available.



The displays are fitted inside ATEX rated 304 stainless steel enclosures. Display code **Ex nR IIC T6 Gc**.



Features:

- . Load monitoring for all overhead cranes Suitable for zone 2 or 22
- . Retrofit to older cranes
- . High spec load cells
- . IP68 ingress protection as standard (load cell)
- . Unsurpassed accuracy and repeatability
- . Mains or DC powered
- . Multiple options for load cell location
- . 2 year manufacturer warranty
- . Simple on-site set up and calibration
- . Load pins custom built for application
- . Worldwide agent network with stock held



LOAD MONITORING AND STRESS ANALYSIS SPECIALISTS

www.euroload.eu



Load cell selection



1) Wedge Socket



2) Load pin

Considerations for load cell selection.

1) Wedge Socket: Very easy to fit, just replace pin, keep existing socket in place, no onsite modification. Reading less of the load, on 4 fall reading 1 fall.

2) Load Pin in Compensation sheave. Easy to fit, replace existing pin, reading half the load on 4 fall. We do require a drawing or sketch of the existing pin We send drawing for approval. Very stable and accurate solution.

Also available with hazardous area approval, zones 0,1 & 2



Ex ia II C T4 Ga

2 WIRE 4-20 MA OUTPUT



Displays



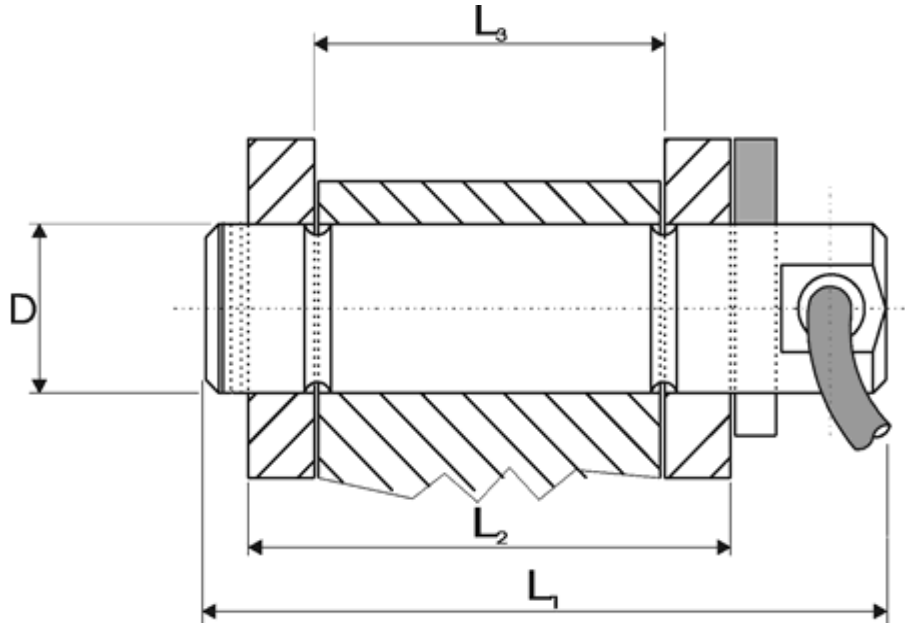
Double Display

Our display of choice is London Electronics Fusion large digit displays. The fusion series has the following benefits,

- easy to use, no-menu programming
- Zone 2 or 22
- Smart styling, slim, easy to install
- Optional, remote setting from ground level
- Modular options to suit your exact needs
- Displays can be built to custom formats
- Indoors and outdoor models
- Fast, free technical support
- 2 year warranty
- Large range of mounting and gland positions
- System set up and calibrated in factory to crane spec
- Must be calibrated onsite to verify installation
- Reference load links available to buy or hire from local agent



Ex nR IIC T6 Gc Zone 2



Rated Load	1.0 to 2000 tonne
Proof Load	150% of rated load
Factor of Safety	Minimum 5:1
Bridge resistance	700 Ohm
Excitaion Voltage	5-15 VDC
Insulation Resistance	>2G Ohm
Enviromental Rating	Typical IP68, designed to meet specific application
Operating temp range	minus 20 to plus 80 deg C
Cable lenght	10 Mtr as standard. Optional on order
Wiring	Red + exc Blue -exc Grean +signal Yellow-Signal
Output available	Mv/v as standard, 4-20 ma, 0.1-5.1VDC, 0.10VDC, +/- 10 VDC,
Telemetry	RS-422, RS-485, ASC11, Modbus
	T24 Telemetry output avaialeb for all load pins



Also available with hazardous area approval, zones 0,1 & 2



Ex ia II C T4 Ga

Mv/v or 2 wire 4-20 ma Output



ELBP Bespoke Load Pins

Local Agent:

Euroload Limited, Unit 9, Airside Business Park,
Dyce Drive, Kirkhill Ind Est, Dyce, Aberdeen,
AB21 0GT. Tel: +44 (0) 1224 774115 e-mail
info@euroload.eu www.euroload.eu