



ELS-24 Heavy Duty G-4163 Telemetry Load Shackle

Euroload Limited provide a range of Heavy Duty load monitoring shackles. Manufactured from Van Beest G-4163 heavy duty bow shackle as standard. Stainless steel or steel load pins available.

Euroload can manufacture using any manufacturer or style of load shackle for specific applications. Subsea or Hazardous area are also available.

At Euroload we calibrate every load shackle in its bow in tension. We never calibrate load shackle pins on V Blocks in compression. The accuracy is unacceptable calibrated on V blocks.

Euroload load shackles have incredible accuracy and repeatability through years of R and D.

These heavy duty load shackles have been designed to cope with any environment with ease.

The options available for the ELT telemetry output are unsurpassed, from battery operated handsets to receiver modules for analogue output, digital output, gateways, datalogging, large digit displays, printers, etc. See our ELT24 Made to Measure brochure for a full list.

The 2.4 GHz signal is worldwide exempt.

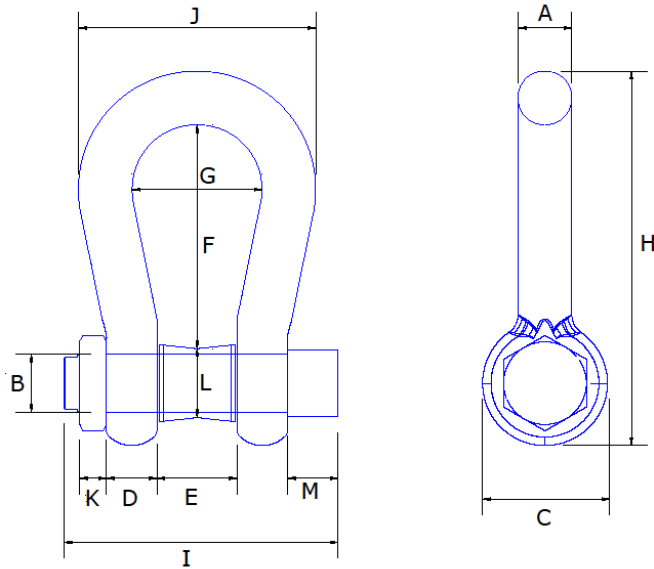
The standard range cover 13.5 tonne to 85 tonne. Special's are available on request. These load shackles are utilised in varies industries including, Oil and Gas, Manufacturing, Aerospace, renewables, Fishing, Transportation, Marine.

Anywhere a reliable tensile load reading is required.



Features:

- . ELT24 telemetry output. 2.4 GHz worldwide except
- . Unsurpassed range of receivers and modules
- . Free datalogging software
- . High Grade steel or stainless steel load pins
- . Compact size and low headroom.
- . Exceptional heavy duty stainless steel end cap
- . Dual output available both telemetry and cabled
- . IP67 ingress protection as standard
- . Unique screw off battery compartment
- . Selectable units of measurement
- . Peak hold as standard
- . 2 year manufacturer warranty
- . Massive stock held in factory
- . Worldwide agent network with stock held



Shackle Dimension`s Van Beest G-4163 Heavy Duty Bow Shackle BN

Shackle Size WLL	a	b	c	d	e	f	g	h	i	j	k	l	m	Weight KG
13.5	35	38	80	35	57	123	92	227	197	162	33	58	90	8.5
17	38	42	88	38	60	136	99	249	202	175	19	70	90	10.5
25	45	50	103	45	74	166	126	300	249	216	23	76	100	17
35	50	57	111	50	83	183	138	331	269	238	26	86	100	24
42.5	57	65	130	57	95	207	160	377	301	274	29	94	100	33
55	65	70	145	65	105	245	180	433	330	310	32	102	100	44
85	75	83	162	73	127	309	190	527	380	340	39	125	100	64
Material	Bow and Pin high tensile steel, grade 6, quenched and tempered													
Safety Factor	MBL equals 6 x WLL													

Specification`s

Size WLL	13.5	17	25	35	42.5	55	85
Units	1 Tonnes						
	2 Klbs						
Resolution	1 0.001			0.01			
	2 0.002			0.02			
Battery Type	Load Shackle 2 off AA batterys (depending on update rate up to 6 months continuous use) Handset 2 off AA (40 Hours)						
Accuracy	+/- 1% of F.S						
Operating temp	-10 deg C to +60 deg C						
Environmental rating	IP67						
Radio Frequency	2.4 GHz ELT24 transmitter, optional receivers. Transmission range 500 mtr depending on site conditions.						
Handset	As standard ELT-24-HS2 2.4 GHz receiver.						
	Note: Any 2 units of measurement can be specified at time of order.						
	Certification package supplied with each link contains: Calibration Certificate to BS 8422:2003, Declaration of Incorporation, EU Declaration of Conformity, Declaration of Manufacture, EC Declaration of Incorporation, CE- Approval Statements, Checklist and user instructions. Material Certificates 2.1, 2.2, 3.1.						



ELS-24 Heavy Duty G-4163 Telemetry Load Shackle

Local Agent:

Euroload Limited, Unit 9, Airside Business Park, Dyce Drive, Kirkhill Ind Est, Dyce, Aberdeen, AB21 0GT.
Tel: +44 (0) 1224 774115 e-mail info@euroload.eu