



ELBP Bespoke Load Pins

Euroload Limited offer a complete design service for bespoke load pins. Design, approval, manufacture, safe area or ATEX/IECEX

Load measuring pins are the simplest and most reliable method of measuring loads. They can be used in a great number of situations, including the most severe environments – sub sea, mining offshore and heavy industry. They can be incorporated easily and economically into the load path by replacing any existing bearing pin.

Typical applications, rope sheaves, fairleads winches, cranes, mooring systems and many more.

Options available; various output types, millivolt, milliamp, telemetry. Dual strain gauging. Dual outputs of different types, dual axis output, sub sea sealed, gland output or connectors, customer specifies connectors.



Applications:

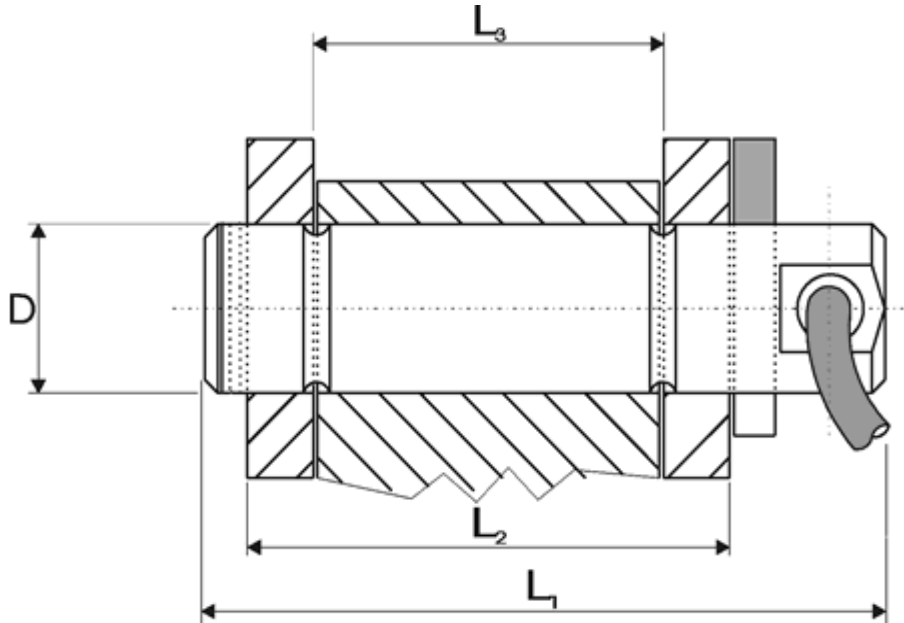
- . Pulleys and sheaves
- . Winches
- . Hoists
- . Shackles
- . Bearing Blocks
- . Wedge sockets
- . Marine and offshore
- . Elevators and conveyor's
- . Mooring Lines
- . Cranes, mobile and static, Overhead
- . Bridge support
- . Subsea



LOAD MONITORING AND STRESS ANALYSIS SPECIALISTS

www.euroload.eu





Rated Load	1.0 to 2000 tonne
Proof Load	150% of rated load
Factor of Safety	Minimum 5:1
Bridge resistance	700 Ohm
Excitaion Voltage	5-15 VDC
Insulation Resistance	>2G Ohm
Enviromental Rating	Typical IP68, designed to meet specific application
Operating temp range	minus 20 to plus 80 deg C
Cable lenght	10 Mtr as standard. Optional on order
Wiring	Red + exc Blue -exc Grean +signal Yellow-Signal
Output available	Mv/v as standard, 4-20 ma, 0.1-5.1VDC, 0.10VDC, +/- 10 VDC,
Telemetry	RS-422, RS-485, ASC11, Modbus
	T24 Telemetry output avaialeb for all load pins



Also available with hazardous area approval, zones 0,1 & 2




Ex ia II C T4 Ga
Mv/v or 2 wire 4-20 ma Output



ELBP Bespoke Load Pins

Euroload Limited, Unit 9, Airside Business Park,
Dyce Drive, Kirkhill Ind Est, Dyce, Aberdeen,
AB21 0GT. Tel: +44 (0) 1224 774115 e-mail
info@euroload.eu www.euroload.eu

Local Agent: