



## ELS 3000 S-Beam Load Cell

### **S – Beam Load Cell Series TNC 3000**

Capacities 1te to 7.5te Tension



- **Alloy Steel Load Cell**
- **Simple Installation**
- **Temperature Compensated**
- **Rationalised Output**
- **Sealed to IP67**
- **Two Year Warranty**

Standard load ranges	Te	1, 2, 3.5, 5,7.5
Full Load output	mV/V	2.0 +/-0.1%
Excitation voltage (recommended) dc or ac	V	10
Excitation voltage (maximum) dc or ac	V	15
Safe service load	%	150
Ultimate load	%	300
Safe side load	%	100
Combined error (non-linearity & hysteresis)	%	<+/- 0.05
Repeatability	%	<+/- 0.03
Output at zero load	%	<+/- 1.0%
Input resistance	ohms	385 +/-20
Output resistance	ohms	350 +/-2
Creep after 30 minutes (20 deg C)	%	<+/- 0.05%
Operational temperature range	deg C	-20 to +80
Compensated temperature range	deg C	20 to +70
Temperature coefficient of zero	%/C	<+/-0.005
Temperature coefficient of span	%/C	<+/-0.003
Environmental protection		IP67
Cable length standard	m	6
Insulation	M ohms	>500 at 100V.dc

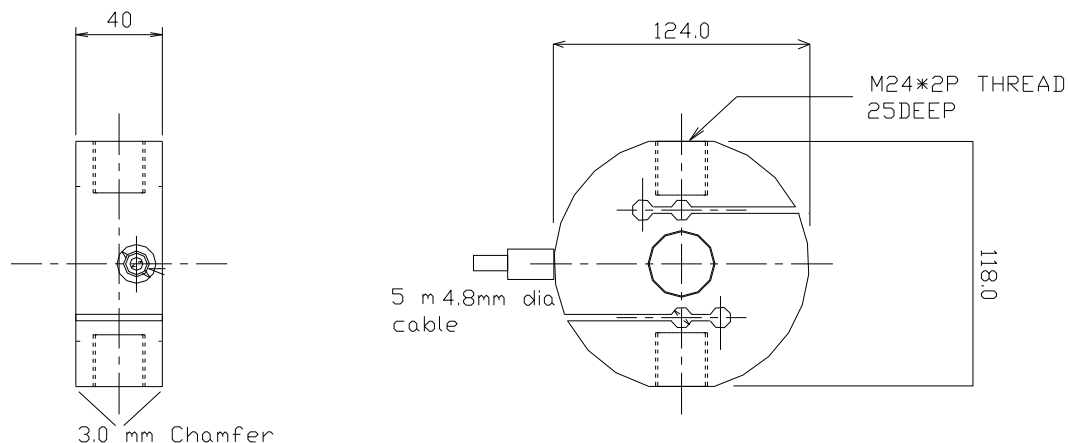
NOTE: All percentages related to Full Rated Load

**Electrical  
Connections**

**Red + input      Green + output**  
**Blue - input      Yellow - output**  
**Screen not connected to load cell**

**Mechanical  
Construction**

**Interface      Via 2 Off M24\*2P Threads**  
**Load cell: Plated EN24T**



ALL DIMENSIONS IN MM

Euroload's policy is one of continuous development and these specifications are subject to change without notice

LOAD MONITORING AND STRESS ANALYSIS SPECIALISTS

www.euroload.eu